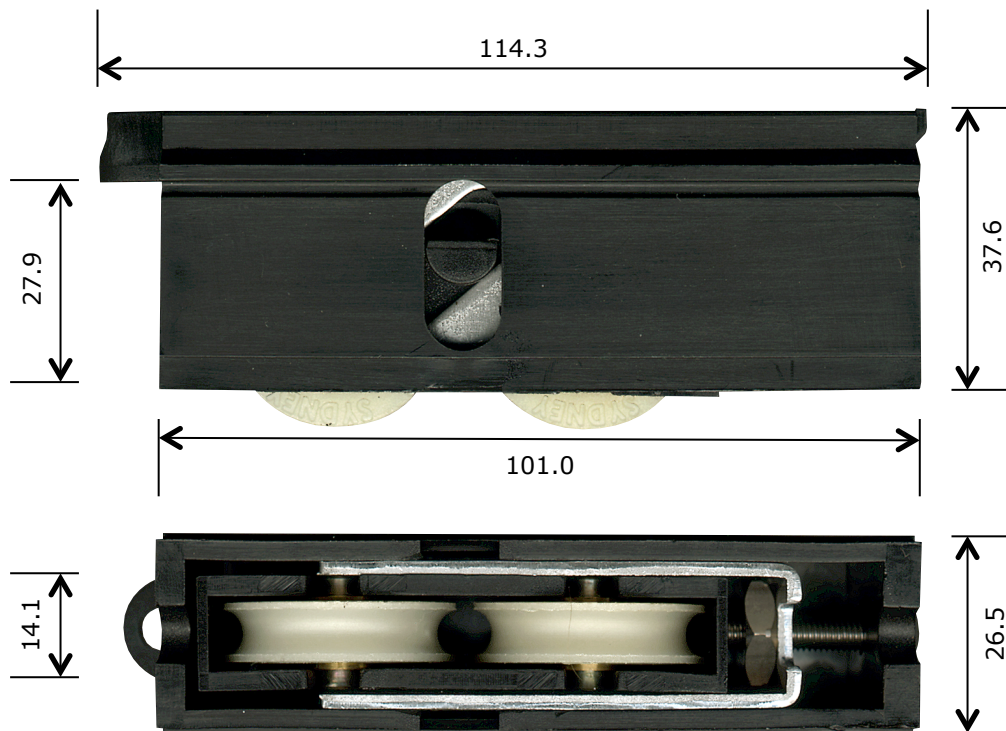


<u>Rollerco Number</u> 1-1800	<u>Part Name</u> Adjustable Aluminium Door Roller
---	---

Description
Plastic door carriage with dual nylon rollers for heavy duty applications.

Picture



Notes / Comments
Engineered plastic outer housing and rocker arm with stainless steel inner housing and combination head adjusting screw fitted with dual nylon tyre ball bearing rollers.

<u>Unit of Supply</u> Each	<u>Recommended Maximum Load</u> 60kg	<u>Adjustment Range</u> 9mm
--------------------------------------	--	---------------------------------------

ROLLERCO
 3, 26-28 Jacobsen Crescent, Holden Hill, South Australia 5088
 P: 08 8266 2554 F: 08 8266 1522 E: sales@rollerco.com.au