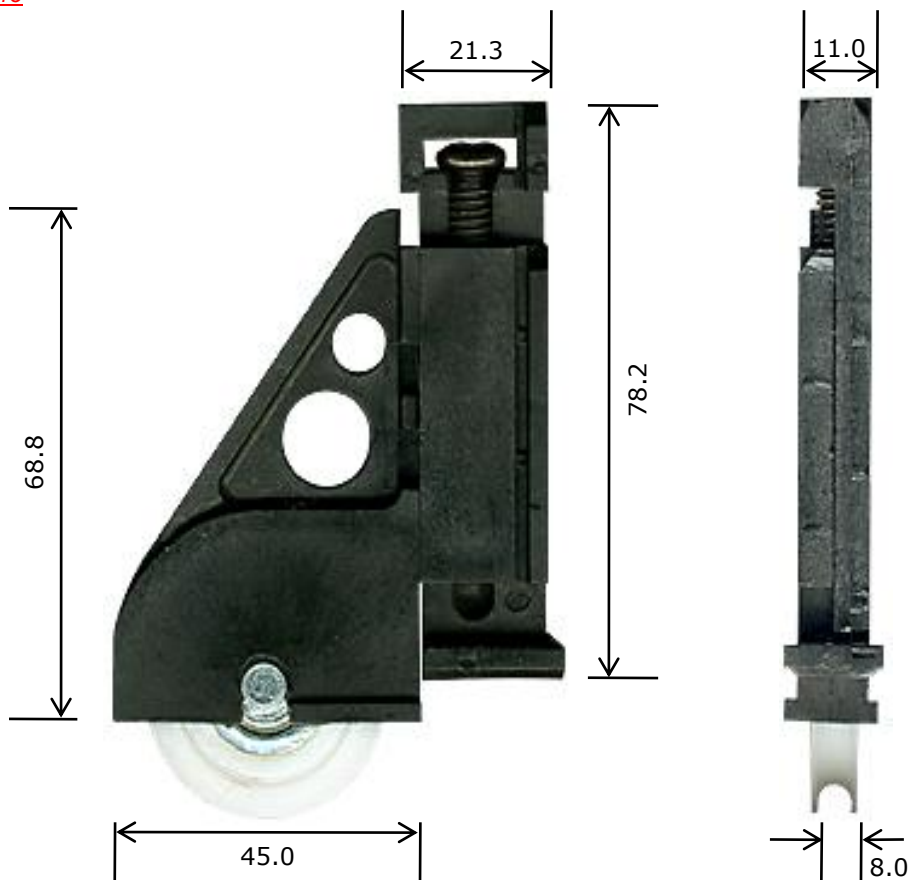


<u>Rollerco Number</u>	<u>Part Name</u>
1-2230	Adjustable Wardrobe Roller

Description
Adjustable wardrobe panel carriage with concave profile roller.

Picture



Notes / Comments
Engineered plastic wardrobe panel carriage with 36mm nylon tyre ball bearing roller and phillips head adjusting screw. This item has a replaceable roller. For replacement roller use roller 2-2159.

<u>Unit of Supply</u>	<u>Recommended Maximum Load</u>	<u>Adjustment Range</u>
Each	20 kg	15 mm



3, 26-28 Jacobsen Crescent, Holden Hill, Sth. Aust. 5088
P: 08 8266 2554 F: 08 8266 1522 E: sales@rollerco.com.au

Reproduction of this document in any part is not allowed without the written consent of Rollerco. Whilst all care has been taken in it's accuracy, Rollerco accept no liability for any errors.