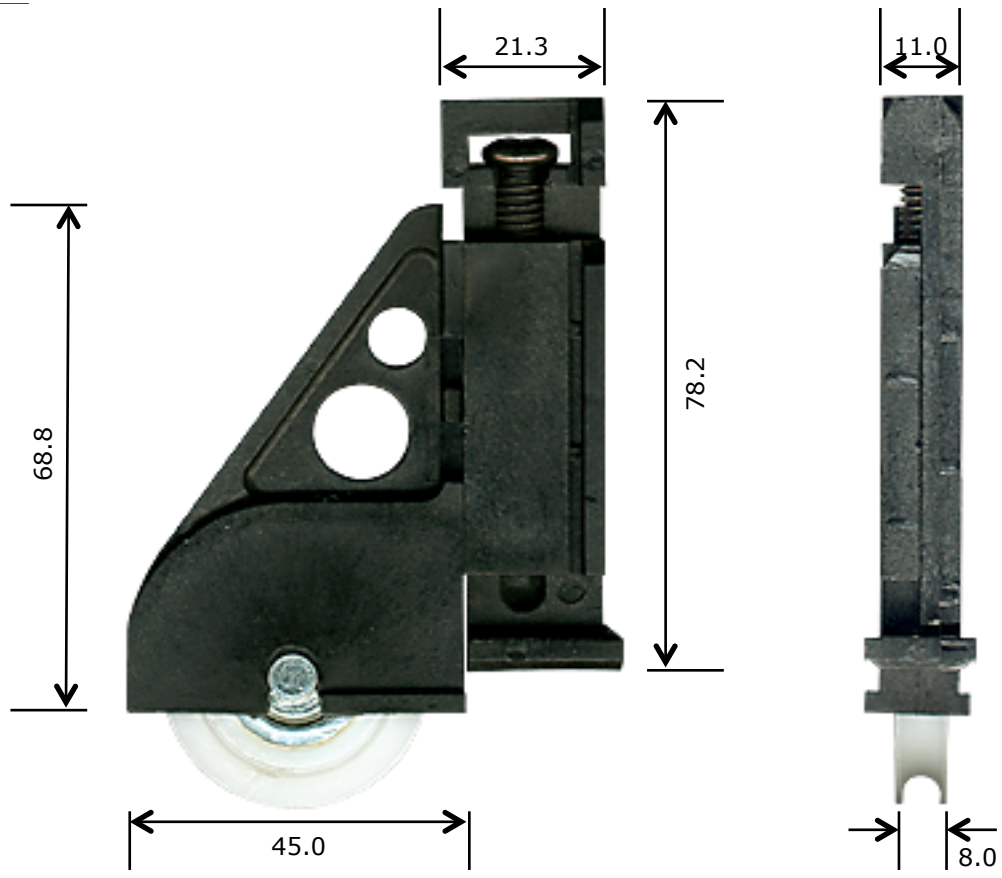


<u>Rollerco Number</u> 1-2230	<u>Part Name</u> Adjustable Wardrobe Roller
---	---

Description
Adjustable wardrobe panel carriage with concave profile roller.

Picture



Notes / Comments
Engineered plastic wardrobe panel carriage with 36mm nylon tyre ball bearing roller and phillips head adjusting screw. This item has a replaceable roller. For replacement roller use roller 2-2150 or 2-2151.

<u>Unit of Supply</u> Each	<u>Recommended Maximum Load</u> 20 kg	<u>Adjustment Range</u> 15 mm
--------------------------------------	---	---