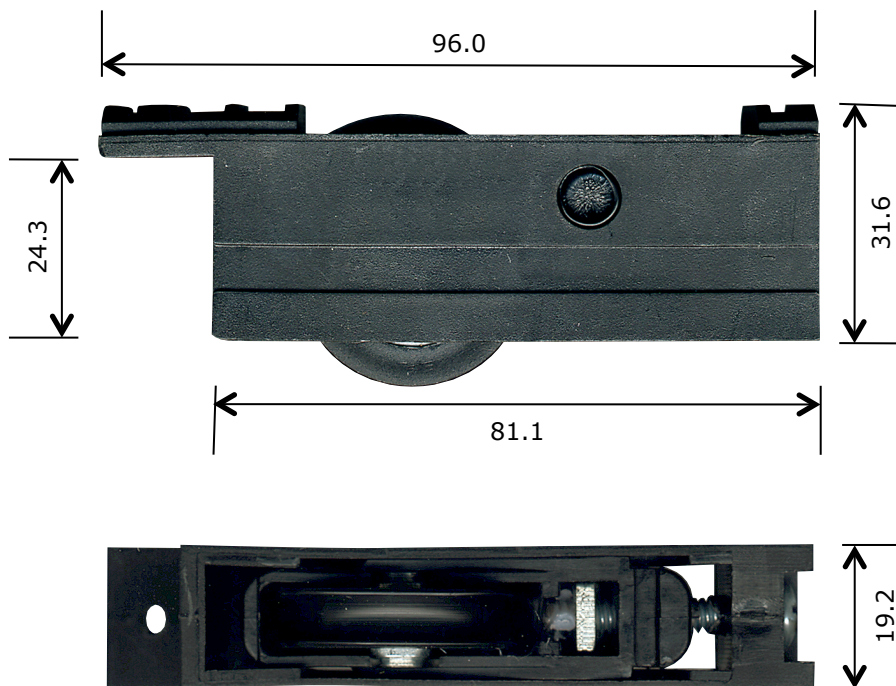


<u>Rollerco Number</u> 1-2350	<u>Part Name</u> Standard Capral HPSW Roller
---	--

Description
Standard roller carriage to suit Capral High Performance Sliding Window.

Picture



Notes / Comments
Injection moulded plastic carriage fitted with nylon tyre bearing roller and combination head adjusting screw. See 1-2360 for coastal version.

<u>Unit of Supply</u> Each	<u>Recommended Maximum Load</u> 20kg	<u>Adjustment Range</u> 10mm
--------------------------------------	--	--

ROLLERCO
 3, 26-28 Jacobsen Crescent, Holden Hill, South Australia 5088
 P: 08 8266 2554 F: 08 8266 1522 E: sales@rollerco.com.au