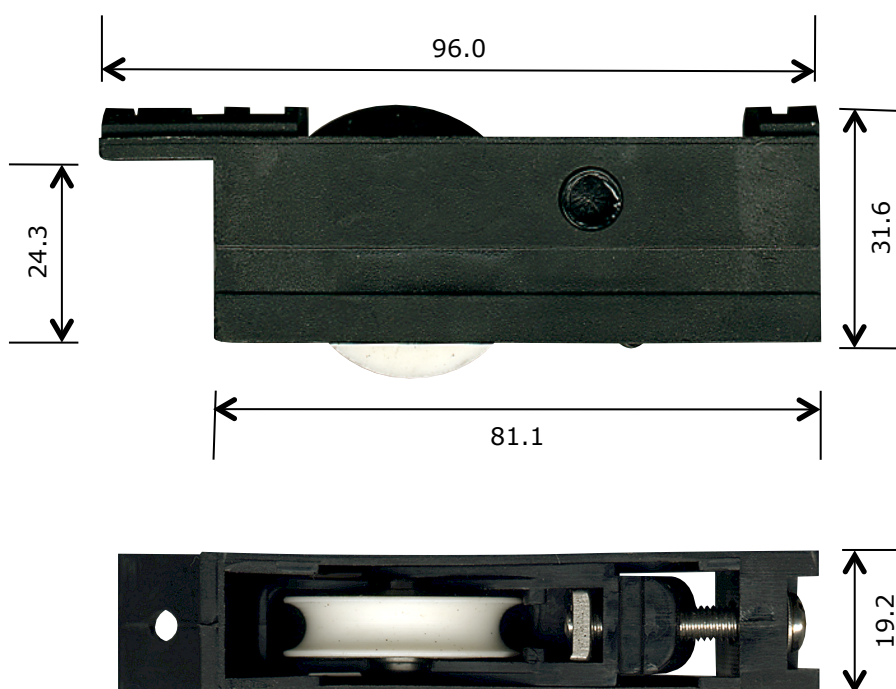


<u>Rollerco Number</u> <b>1-2360</b>	<u>Part Name</u> <b>Coastal Capral HPSW Roller</b>
---	---

Description  
**Roller carriage to suit Capral High Performance Sliding Windows in coastal applications.**

Picture



Notes / Comments  
**Injection moulded plastic carriage fitted with nylon tyre corrosion resistant bearing roller and stainless steel phillips head adjusting screw. See 1-2350 for standard version.**

<u>Unit of Supply</u> <b>Each</b>	<u>Recommended Maximum Load</u> <b>25kg</b>	<u>Adjustment Range</u> <b>10mm</b>
--------------------------------------	--	--

**ROLLERCO**  
 3, 26-28 Jacobsen Crescent, Holden Hill, South Australia 5088  
 P: 08 8266 2554 F: 08 8266 1522 E: sales@rollerco.com.au