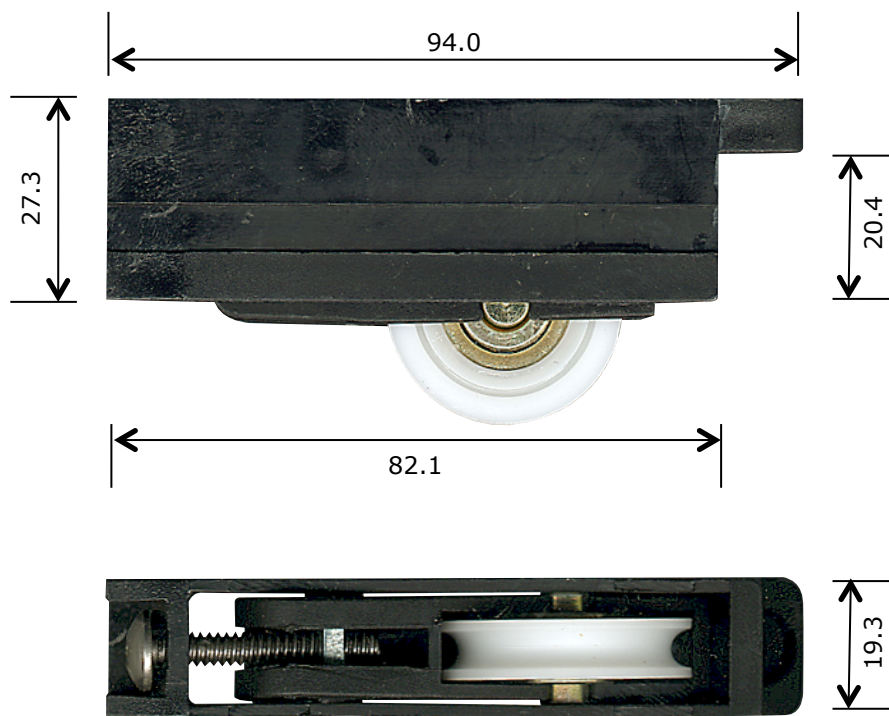


<u>Rollerco Number</u> 1-2380	<u>Part Name</u> Adjustable Sliding Door Roller
---	---

Description
Sliding door roller carriage fitted with delrin tyre bearing roller.

Picture



Notes / Comments
Engineered plastic sliding door carriage with delrin tyre bearing roller and phillips head adjusting screw. For replacement rollers use 2-1020 or 2-1021.

<u>Unit of Supply</u> Each	<u>Recommended Maximum Load</u> 25kg	<u>Adjustment Range</u> 8mm
--------------------------------------	--	---------------------------------------

ROLLERCO
 3, 26-28 Jacobsen Crescent, Holden Hill, South Australia 5088
 P: 08 8266 2554 F: 08 8266 1522 E: sales@rollerco.com.au