

# ROLLERCO



*Window & Door Spare Parts*

Rollerco Number

1-2860

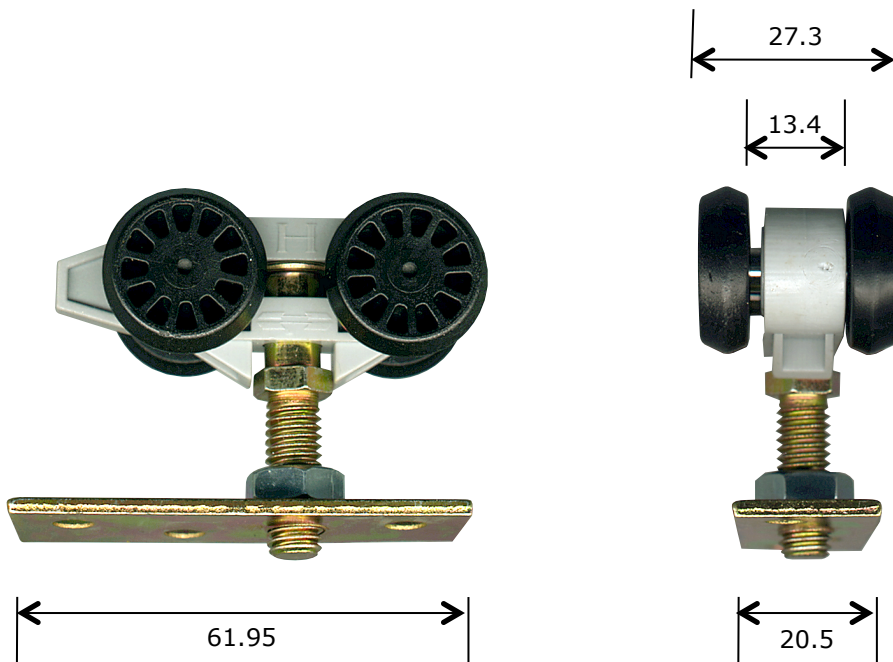
Part Name

Bi-Fold Door Roller Trolley

Description

Quad roller bi-fold door trolley to suit Henderson track system.

Picture



Notes / Comments

Plastic roller trolley fitted with 4 off 22.4mm nylon rollers and metal base plate. 3 x base plate fixing screws included.

Unit of Supply

Each

Recommended Maximum Load

12kg

Adjustment Range

10mm

**ROLLERCO**

3, 26-28 Jacobsen Crescent, Holden Hill, South Australia 5088

P: 08 8266 2554 F: 08 8266 1522 E: sales@rollerco.com.au

*Reproduction of this document in any part is not allowed without the written consent of Rollerco. Whilst all care has been taken in it's accuracy, Rollerco accept no liability for any errors.*