



---

# DS1 | CHAINWINDER

## DS1 | CHAINWINDER

# The DS1 is the most durable single window winder in the market, complete with innovation

Delivering a solution to the growing trend of awning openings, this revolutionary product is the ultimate in window control and has changed the way in which awning windows are specified.

Being the industry leader, the DS1 Chainwinder allows for easy operation and installation in a secure key lockable configuration. Combined with a stylish and easy to use slim fold down lever, this product delivers ultimate window control.

Designed for Residential and Commercial settings where awning openings are often found. The DS1 Chainwinder can be pre-restricted in order to comply with the NCC and to meet the requirements with Kids don't Fly.

## ADVANTAGES



Window restriction compliant in association with Kid's don't fly with an easy chain restrictor switch



Removable chain from sash plate for easy and reduced installation time - EasyLink



Smooth, effortless operation and control for large awning openings



Fold down lever with adjustable spline

## COLOURS

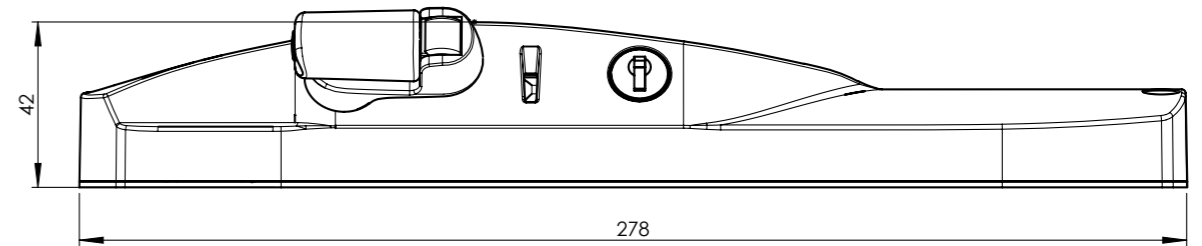
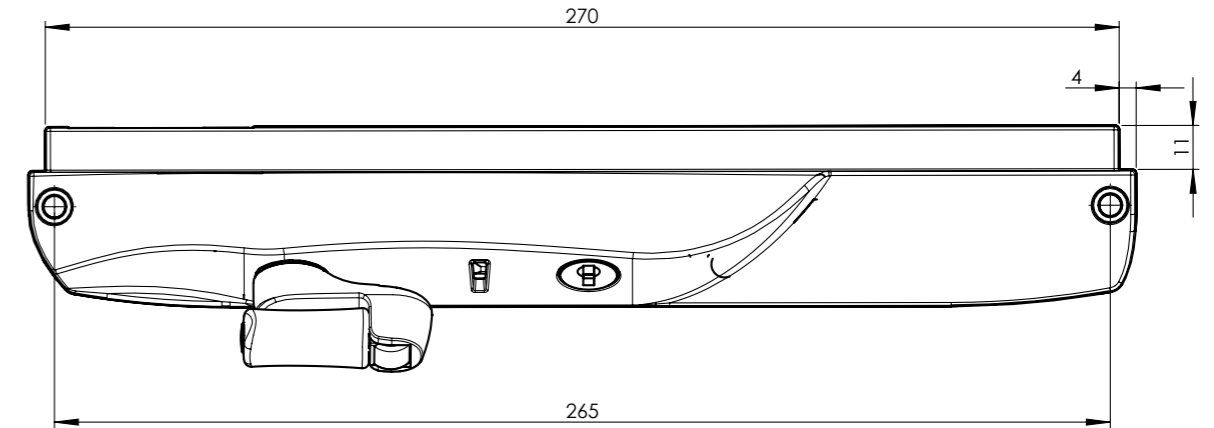
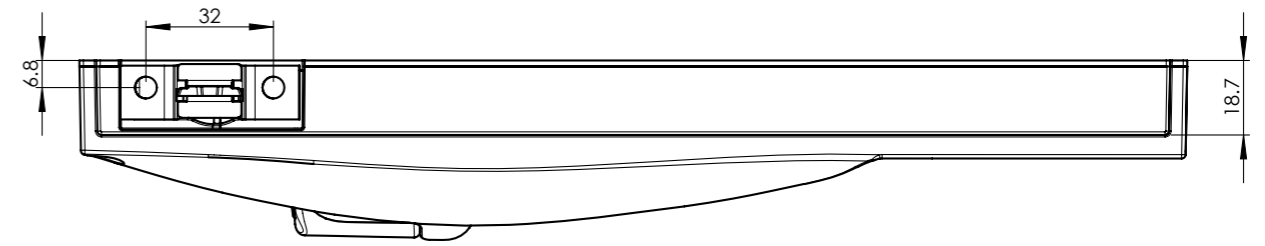


## PRODUCT DETAILS

<b>FURNITURE MATERIAL</b>	Polesium™ Base & Housing, Zinc Handle and Stainless Steel Chain
<b>FINISH AVAILABLE</b>	Powdercoat
<b>CYLINDER</b>	DS125 - 5 Disc wafer cylinder DS126 - 6 Disc wafer cylinder
<b>KEYING</b>	Keyed alike or keyed to differ

## TESTING

- Neutral Salt and Spray tested in accordance with AZTO312.18 & AZTO313.18
- Cycle tested on a 30kg window to over 30,000 cycles
- Tested and surpassed chain pull test in accordance with AZTO332.18 achieving 3403.9N (standard 250N)



## HOW TO ORDER

CODE	COLOUR	CYLINDER
DS1 Keyed	Black, White or Silver	DS125 or DS126
DS2 Non-Keyed	Black, White or Silver	—

## ADDITIONAL

CODE	PRODUCT
9049270	DS1 Chainwinder packer - 3mm
MDS174N	DS1 Chainwinder packer - 8mm
MDS1176	DS1 Chainwinder packer - 20mm

# INNOVATORS

OF HARDWARE FOR WINDOWS AND DOORS

---

## **SYDNEY**

38 Redfern St,  
Wetherill Park  
Sydney, NSW 2164  
Australia  
Ph: +61 2 9609 2555  
[www.doric.com.au](http://www.doric.com.au)

## **AUCKLAND**

26/C Triton Drive,  
Albany, North Shore,  
New Zealand 0632  
Auckland  
Ph: +64 9 415 5535  
[www.doricnz.co.nz](http://www.doricnz.co.nz)

## **KUALA LUMPUR**

No.17 Jalan 51/203A, Kawasan  
perindustrian Tiong Nam,  
Seksyen 51, 46050 Petaling Jaya,  
Selangor, Malaysia  
Ph: +60377733628  
[www.doric.com.my](http://www.doric.com.my)



---

# DS1 | CHAINWINDER