

# ROLLERCO



*Window & Door Spare Parts*

Rollerco Number

1-2920

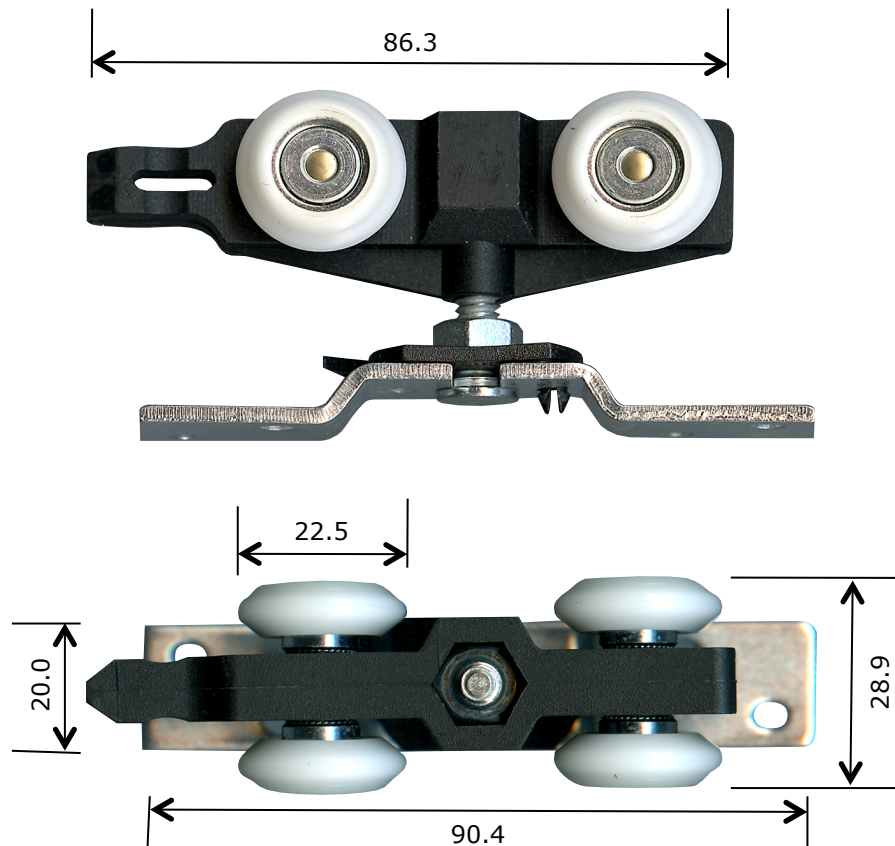
Part Name

Bi-Fold/Sliding Door Trolley

Description

Adjustable quad roller trolley to suit sliding and bi-fold doors. See also 1-2925 plastic end stop.

Picture



Notes / Comments

Quad nylon tyre ball bearing rollers on plastic body with steel mounting bracket.

Unit of Supply

Each

Recommended Maximum Load

32kg

Adjustment Range

13mm

**ROLLERCO**

3, 26-28 Jacobsen Crescent, Holden Hill, South Australia 5088

P: 08 8266 2554 F: 08 8266 1522 E: sales@rollerco.com.au

*Reproduction of this document in any part is not allowed without the written consent of Rollerco. Whilst all care has been taken in it's accuracy, Rollerco accept no liability for any errors.*