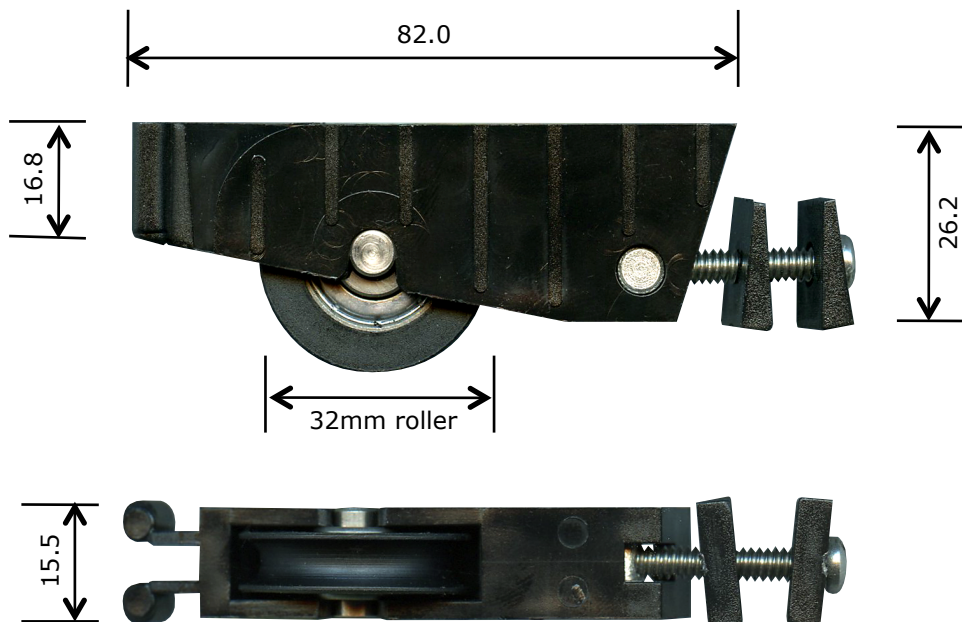


<u>Rollerco Number</u> 1-2411	<u>Part Name</u> Wintec & Dowell Heavy Duty Door Roller
---	---

Description
Door roller assembly with premium roller suits Wintec & Boral/Dowell MK5C aluminium glass sliding doors. This item can be used as a direct replacement for parts 1-1120, 1-1121, 1-1122 & 1-2410 in Dowell doors.



Notes / Comments
Engineered plastic roller housing with stainless steel combination head adjusting screw and premium nylon tyre roller with precision bearings. For replacement roller use 2-1021.

<u>Unit of Supply</u> Each	<u>Recommended Maximum Load</u> 35 kg	<u>Adjustment Range</u> 10 mm
--------------------------------------	---	---

ROLLERCO
 3, 26-28 Jacobsen Crescent, Holden Hill, Sth. Aust. 5088
 P: 08 8266 2554 F: 08 8266 1522 E: sales@rollerco.com.au