

# ROLLERCO



*Window & Door Spare Parts*

Rollerco Number

1-2011

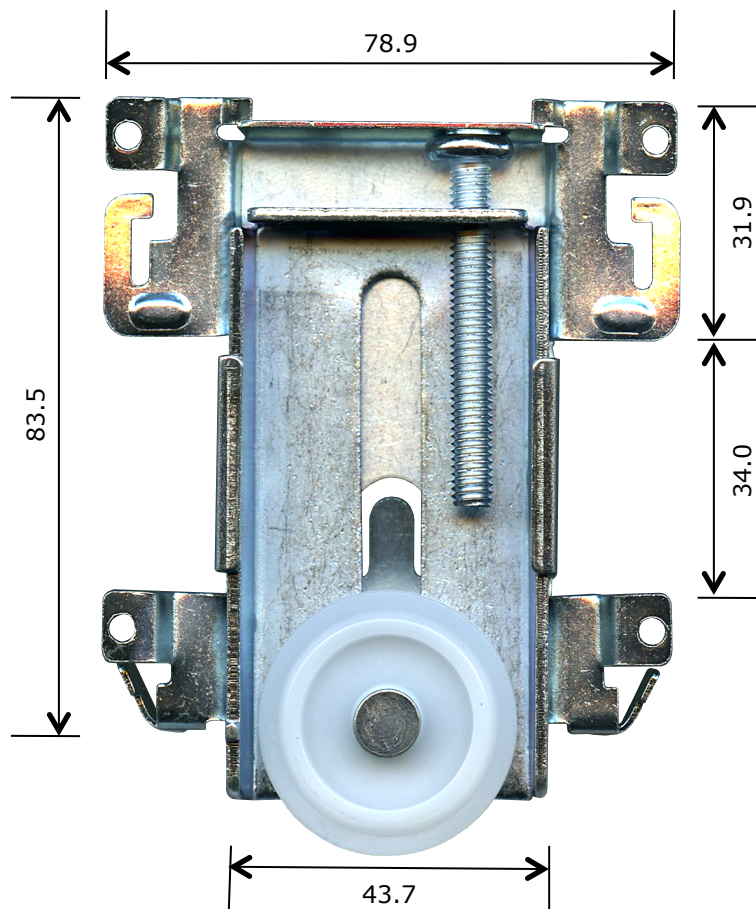
Part Name

Sliding Robe Carriage

Description

Adjustable roller carriage fitting to suit sliding wardrobe panels.

Picture



Notes / Comments

Zinc plated steel 2 piece carriage fitted with a 36mm special profile nylon roller and phillips head adjusting screw.

<u>Unit of Supply</u>	<u>Recommended Maximum Load</u>	<u>Adjustment Range</u>
Each	15kg	30mm

**ROLLERCO**

3, 26-28 Jacobsen Crescent, Holden Hill, South Australia 5088  
P: 08 8266 2554 F: 08 8266 1522 E: sales@rollerco.com.au

Reproduction of this document in any part is not allowed without the written consent of Rollerco. Whilst all care has been taken in it's accuracy, Rollerco accept no liability for any errors.