

ROLLERCO



Window & Door Spare Parts

Rollerco Number

1-3120

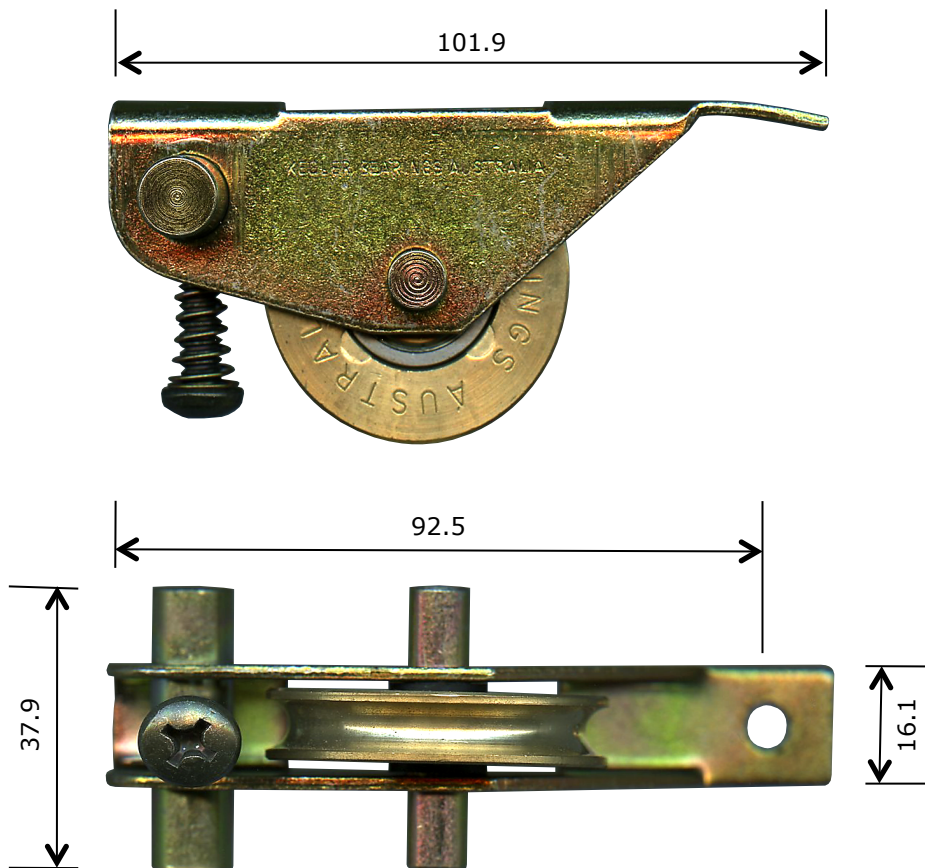
Part Name

Heavy Duty Door Roller

Description

Adjustable door carriage with brass roller to suit heavy duty applications.

Picture



Notes / Comments

Yellow zinc passivated steel housing fitted with #3 phillips head adjusting screw and 40mm brass tyre bearing roller.

Unit of Supply

Each

Recommended Maximum Load

50kg

Adjustment Range

12mm

ROLLERCO

3, 26-28 Jacobsen Crescent, Holden Hill, South Australia 5088

P: 08 8266 2554 F: 08 8266 1522 E: sales@rollerco.com.au

Reproduction of this document in any part is not allowed without the written consent of Rollerco. Whilst all care has been taken in it's accuracy, Rollerco accept no liability for any errors.