

## INSTALLATION CONTINUED

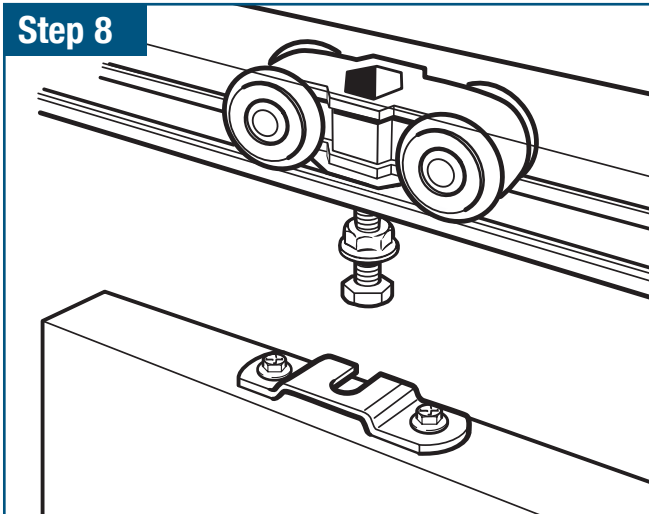
### Step 7



QLD, NSW, WA only.

**Step 7.** Cut the 2 glide guide strips to suit the door width. Tack both strips to the bottom of the door using 5 panel pins with each glide guide strip.

### Step 8

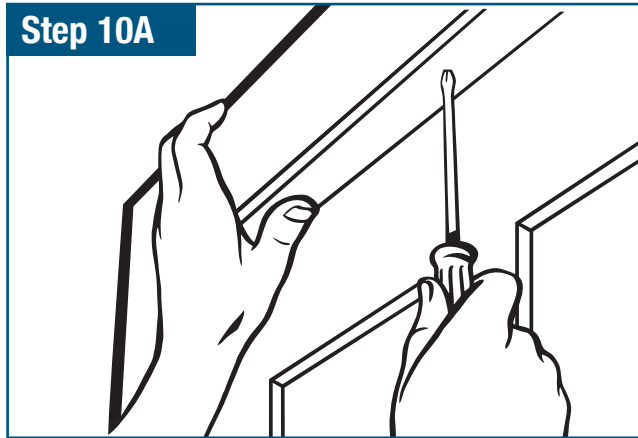


**Step 8.** With the door in the opening, lift to locate each door support bracket onto the carriage assembly thread, ensuring the self locking nuts are above the bracket.

**Step 9.** Use the spanner provided to raise and level the door to the required height and to plumb against the closing jamb. Tighten the lock nuts when the door is correctly positioned.

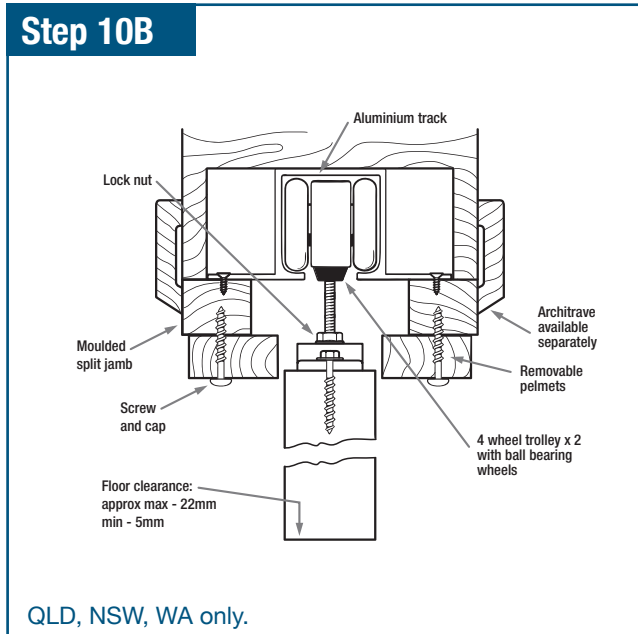
**Do not discard the Spanner.** Attach it to the spanner clip for future use.

### Step 10A



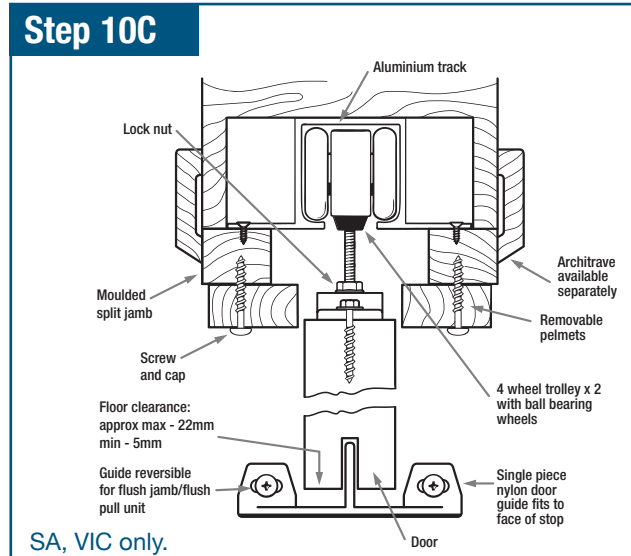
**Step 10A.** Screw in place the removable fillet using 4 x 35mm screws through a white snap cap base. Finish off with supplied snap caps. Refer to Steps 10A, 10B and 10C.

### Step 10B



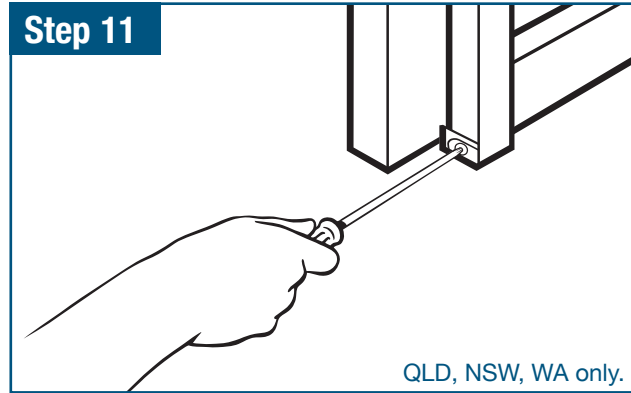
QLD, NSW, WA only.

### Step 10C



SA, VIC only.

### Step 11



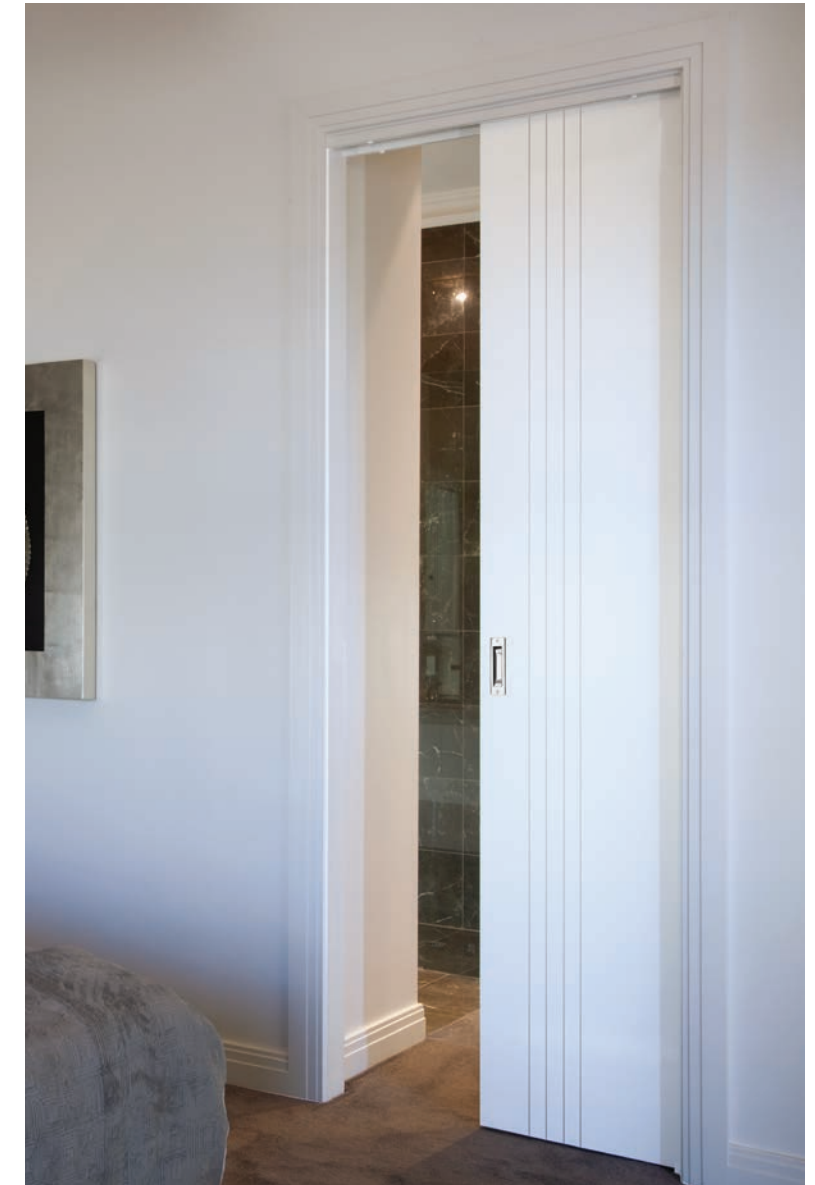
QLD, NSW, WA only.

**Step 11.** Fix the two nylon finger guides to the base of the frame using the elongated opening (for subsequent adjustment). The flexible portion protrudes into the cavity. When the guides are positioned correctly, fasten with a 15mm round head fixing screw.

**DESIGN REGISTRATION NUMBERS:** 12446/2011

Corinthian Doors are available from over 2,500 resellers nationally visit our website: [www.corinthian.com.au](http://www.corinthian.com.au) or call Corinthian for your nearest stockist

© Copyright reserved 30/05/2016 Corinthian Doors



# slimline 6000

## heavy duty cavity unit

Thank you for purchasing the Slimline 6000 Heavy Duty Cavity Door Unit.

Please follow these instructions carefully. Proper installation and maintenance will bring you years of trouble-free use.

### PLEASE NOTE THE FOLLOWING IMPORTANT INFORMATION:

Single cavity units have a door weight limit of 125kg. Double cavity units have a door weight limit of 85kg each door. Cavity units are not load bearing. When installing double cavity units it is important that the track is fixed to a structural member. Screw through centre of track using the holes provided. Care should be taken when installing the cavity unit into wall tiled areas. Please consult with the substrate/tile manufacturer as to their recommended fixing and tiling methods in accordance with the relevant standards.

#### CONTENTS:

Check that you have all the contents and tools to install your Slimline 6000 Heavy Duty Cavity Door Unit.

#### Contents include:

- 1 x cavity pocket
- 1 x head track assembly
- 2 x removable fillets
- 1 x glide guide kit<sup>2</sup>
- 1 x trolley kit
- 1 x closing jamb<sup>1</sup>

#### Glide guide kit includes<sup>2</sup>:

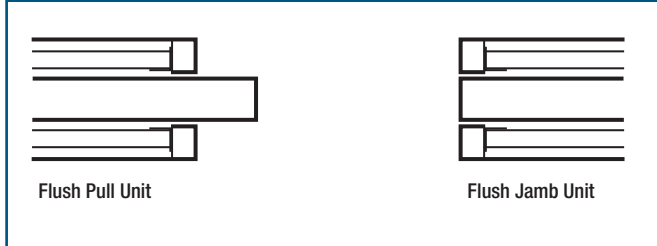
- 2 x glide guide strips
- 2 x nylon finger guides
- 2 x 15mm round head screws
- 10 x panel pins

#### Trolley kit includes:

- 2 x carriage assemblies
- 2 x door support brackets
- 1 x reversible door guide
- 1 x spanner
- 1 x spanner clip
- 8 x 16mm pan head screws
- 1 x 15mm countersunk screw
- 4 x 35mm countersunk screws
- 4 x 30mm hex head screws
- 1 x 25mm masonry nail
- 4 x complete snap caps

## INSTALLING YOUR NEW SLIMLINE 6000 HEAVY DUTY CAVITY DOOR UNIT

### Cavity Unit with Door Fully Open Position

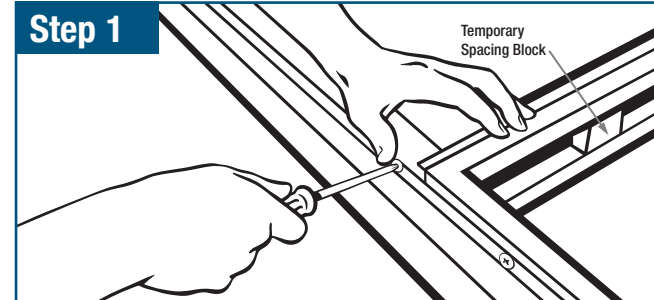
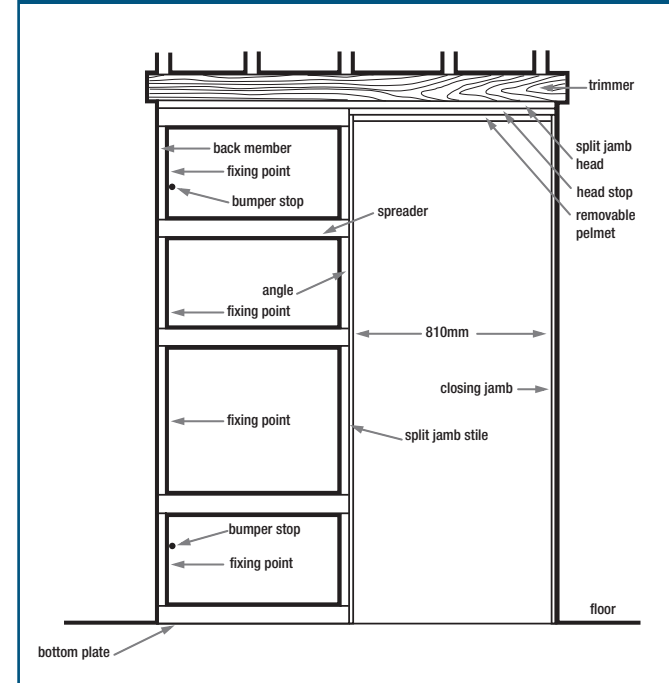


### PLEASE NOTE:

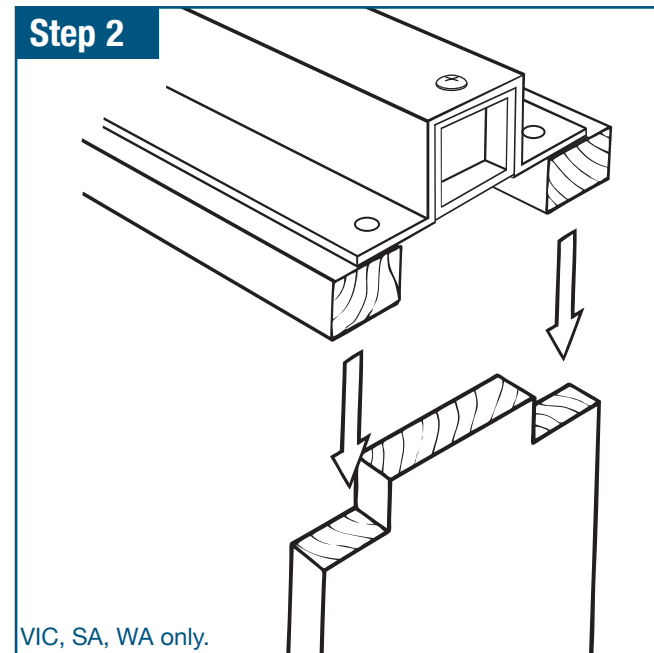
Some sizes/types may not be available in all States.

Units also available to suit 2340mm high door. Stud opening 2440mm high.

### Slimline 6000 Cavity Elevation Diagram 2

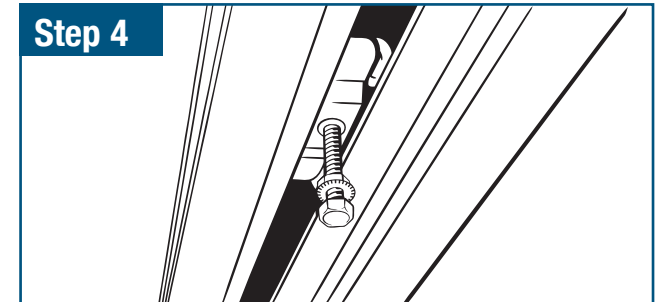


**Step 1.** Fit and screw the head track assembly to the cavity pocket using the 16mm Panhead screws. Do not remove the temporary spacing blocks until the wall sheeting has been completed.

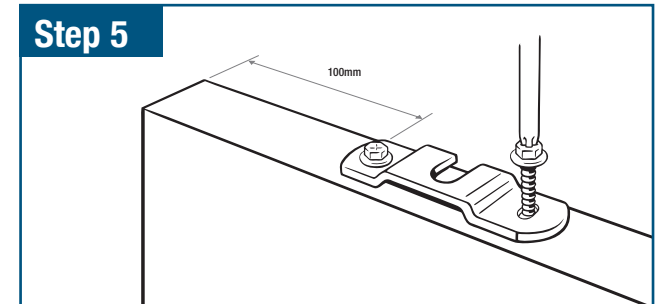


**Step 2.** Screw/nail the closing jamb to the head section, fixing through head timber into closing jamb stile.

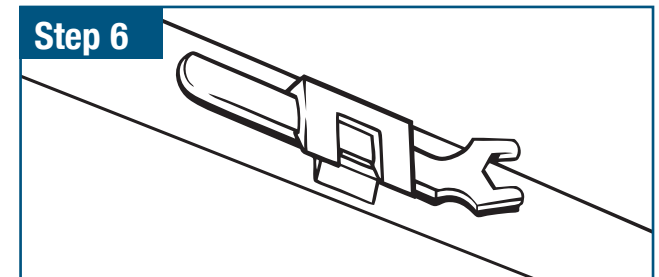
**Step 3** Place the assembled unit in position in the opening. Plumb and fasten to the brick/stud. It is important that the back member of the cavity pocket is installed by packing and fixing as close as possible to the two bumper stops. A minimum of four fixings are required - see Slimline 6000 Cavity Elevation (Diagram 2). Fasten the base to the floor using the concrete nail provided. NSW, QLD only. Fasten the head track assembly to the top of the opening using the 1 x 16mm pan head screw.



**Step 4.** Place both carriage assemblies in the track.



**Step 5.** Attach the door support brackets to the top of the door using the 4 x 30mm hex head screws, 100mm in from each side.



**Step 6.** Attach the spanner storage clip to the top of the door using the 1 x 15mm countersunk screw.

<sup>1</sup>VIC, SA, WA only <sup>2</sup>WA, NSW, QLD only