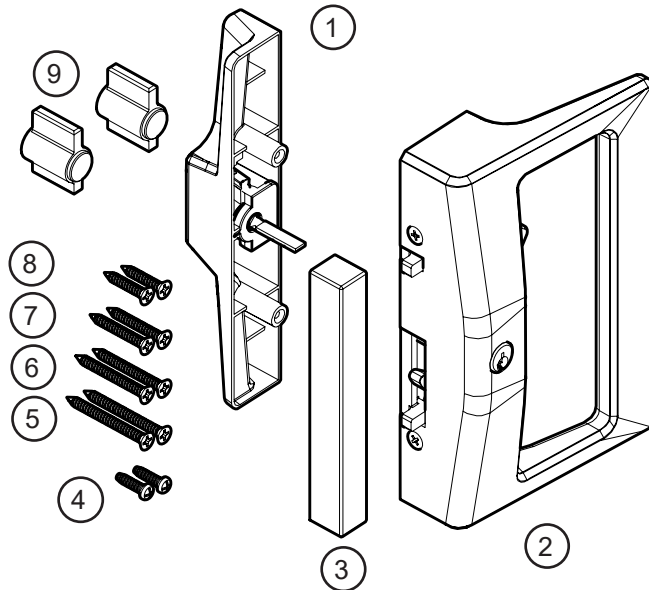


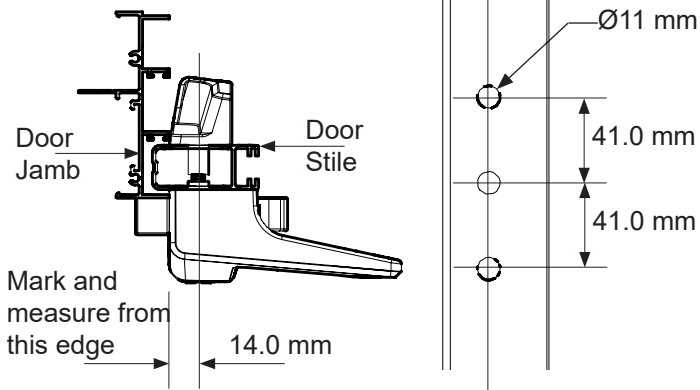
## Pack Contents:

1. 1 x External handle Set (preassembled)
  2. 1 x Internal handle set (preassembled)
  3. 1 x Strike (preassembled)
  4. 2 x Front Fix Screws
  5. 2 x Extra long screws
  6. 2 x Long screws
  7. 2 x Short screws
  8. 2 x Extra short screws
  9. Cylinder plugs / Cylinders (as appropriate)
- 1 x Instruction Sheet (in kit)



## 1. Door Preparation

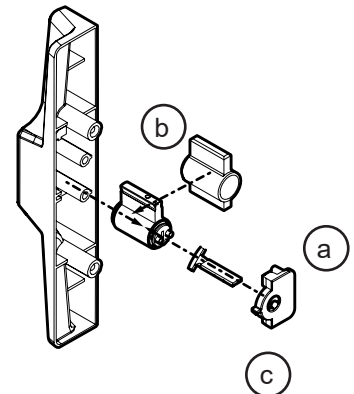
- (a) With a pencil, mark the centre of the holes to be drilled (both sides of door).
- (b) Drill  $\varnothing 11$  mm holes, both sides.



## 3. Cylinder / Plug installation.

To change between a Cylinder and a Cylinder Plug:

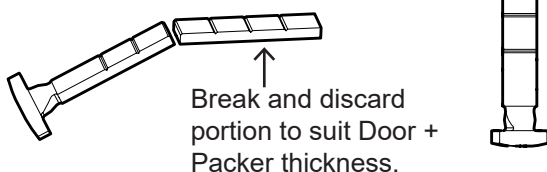
- (a) Remove the Retaining Plate;
- (b) Remove and swap the Cylinder / Cylinder Plug;
- (c) Re-install the Retaining Plate.



## 2. Spindle Preparation

### Door + Packer thickness

- |                |                        |   |
|----------------|------------------------|---|
| 46.4 to 40.2mm | Use as supplied        | → |
| 40.1 to 33.9mm | Break off '1' portion  | → |
| 33.8 to 27.6mm | Break off '2' portions | → |
| 27.5 to 21.3mm | Break off '3' portions | → |

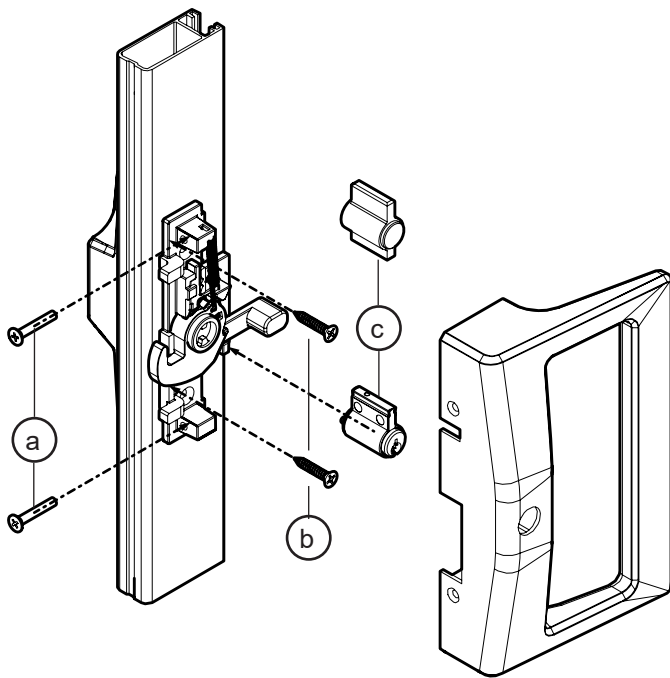


## 4. Fixing Screw Selection

### Door + Packer thickness

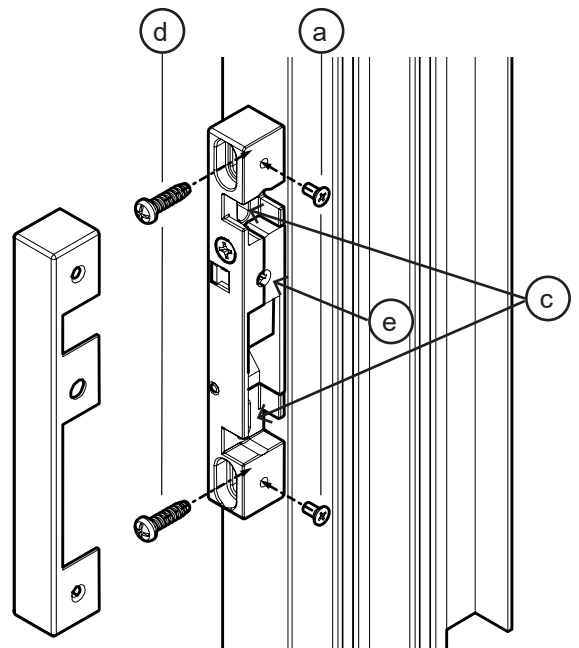
- |                |   |  |
|----------------|---|--|
| 46.4 to 40.2mm | → |  |
| 40.1 to 33.9mm | → |  |
| 33.8 to 27.6mm | → |  |
| 27.5 to 21.3mm | → |  |

## 5. Interior Handle installation



- (a) Remove Handle Screws to allow the Handle to be removed from the interior Base.
- (b) Install the Interior Base using the screws selected in the previous step.
- (c) Select either the Cylinder or Cylinder Plug and install the Handle.
- (d) Secure the Handle using the Handle screws, (a).
- (e) Test the function of the snib and key.

## 6. Catch plate installation



- (a) Remove the Catch Cover Screws to remove the Catch Cover.
- (b) Front Fix: Close the door and position the Catch Assembly on the jamb opposite the lock with a 1 to 2 mm gap between the lock and the Catch Assembly. Mark the centre of the 'front fix' slots and drill the jamb with a 3.5mm drill.
- (c) Face Fix: mark through the 'face fix' slots, then drill and secure as per (b).
- (d) Install the Catch Assembly using the supplied screws; ensuring the lock engages correctly before tightening the screws.
- (e) Fine adjustment can be made using the adjusting screw.

## Cleaning and Maintenance

After installation of the door ensure that:

- The door is correctly adjusted with the correct clearances.
- The lock engages the catch plate correctly.
- The door is protected from building fall-out such as wet plaster, mortar, and paint.

Annually inspect the door to confirm that the door operates with the correct clearances, closes and opens without obstruction. Confirm that the lock beaks engage easily with the catch plate when the door is closed and the lever or key is turned - adjust the door if necessary.

Annually check that when the door is closed, the lock can be locked by key and by the lever.

NB : The lock assembly has been lubricated for life, and should not be disassembled by the user.

### Cleaning Surfaces

Clean surfaces every 6 months to protect the finish. However, in areas

where pollutants are more prevalent, especially in coastal or industrial regions, cleaning should be carried out every two to three months.

To clean the surface:

1. Carefully remove any loose deposits with a wet sponge.
2. Use a soft brush (non abrasive) or cloth and a mild household detergent solution to remove dust, salt and other deposits. Do not use steel wool, scrapers, scouring liquids or powders to remove deposits as these permanently scratch the surface.
3. Rinse off with clean fresh water.

### Cleaning Chrome, Satin Chrome, Gold and Brass Finishes

Plated finishes are susceptible to tarnishing if they come into contact with moisture, wet paint, or water vapour. All plated finishes should be coated with a non-abrasive furniture or car wax immediately after installation. Plated finishes should be regularly wiped with a non-abrasive furniture or car wax, taking care not to scratch any protective finishes that are employed to protect the surface and prevent tarnishing.

Allegion (Australia) Pty Ltd  
 Freephone: 1800 098 094  
 Email: [auinfo@allegion.com](mailto:auinfo@allegion.com)  
[www.ausloc.com](http://www.ausloc.com)

Allegion (New Zealand) Limited  
 Freephone: 0800 477 869  
 Email: [nzinfo@allegion.com](mailto:nzinfo@allegion.com)  
[www.allegion.co.nz](http://www.allegion.co.nz)

