



Austral Lock

PEARL SERIES



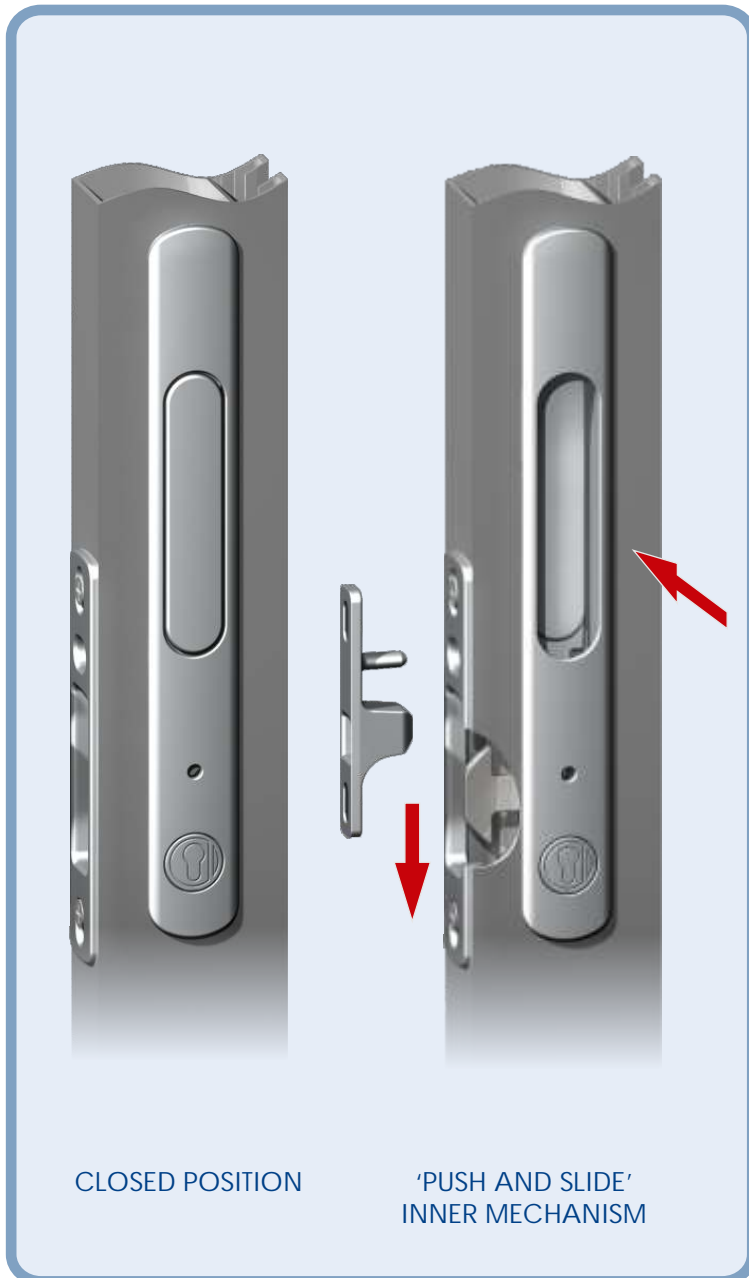
A division of

Gainsborough

for sliding windows and doors

PEARL WINDOW LOCK

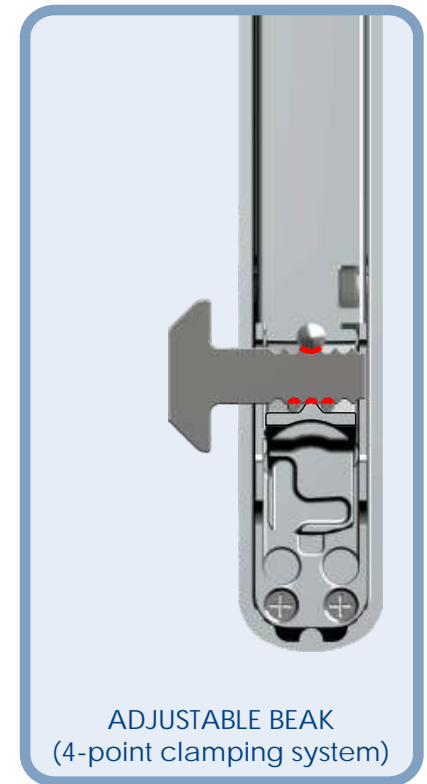
for sliding windows



OPTIONAL KEY LOCKING
(wafer cylinder)



DUMMY FURNITURE
(for double windows)



ADJUSTABLE BEAK
(4-point clamping system)

- Stylish low-profile design.
- Easy to use "push and slide" action with concealed finger recess. (push plate to unlatch then use finger recess to slide the window)
- Self-latching when window is closed.
- 3mm thick stainless steel beak is secured by a 4-point clamping system.
- Metal catch plate with anti-lifting pin.
- Key locking option (wafer cylinder only).
- Available in Black, White, and Silver powdercoat finish.
- Australian design and manufacture.

For more information go to www.ausloc.com

PEARL DOOR LOCK

for sliding doors



OUTER PULL

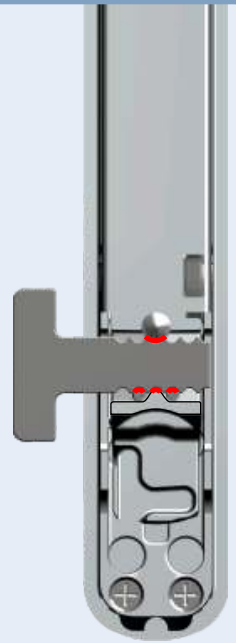
'PUSH AND SLIDE'
INNER MECHANISM



OPTIONAL KEY LOCKING
(from the outside only)



DUMMY FURNITURE
(for double doors)

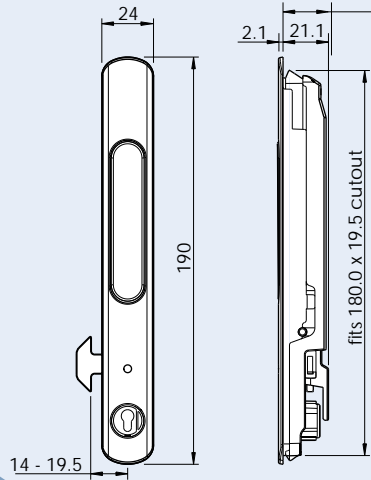


ADJUSTABLE BEAK
(4-point clamping system)

- Stylish low-profile design.
- Easy to use "push and slide" interior action with concealed finger recess. (push plate to unlatch then use finger recess to slide the door)
- 3mm thick stainless steel beak is secured by a 4-point clamping system.
- Metal catch plate with anti-lifting pin.
- Key locking and unlocking (optional) from the outside of the door (pin cylinder).
- Egress lock function means the inner mechanism overrides the key locking.
- Available in Black, White, and Silver powdercoat finish.
- Australian design and manufacture.

For more information go to www.ausloc.com

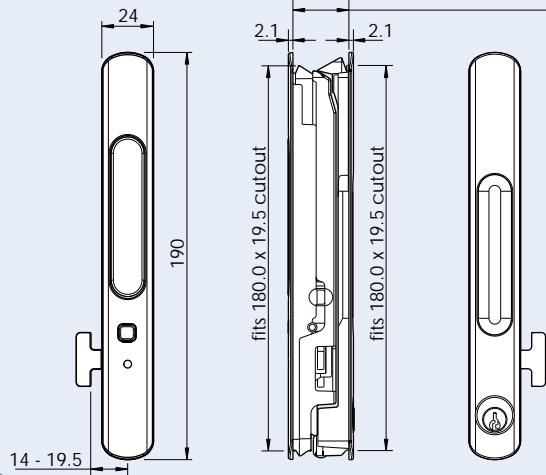
PEARL WINDOW LOCK



Fits Window Sizes

Minimum distance from outside front face to the inside back face of the aluminium section.
 Pearl without cylinder = 21.5mm
 Pearl with cylinder = 23.5mm

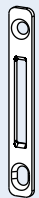
PEARL DOOR LOCK



Fits Door Sizes

without cylinder
 25mm minimum
 with cylinder
 25mm - 27.5mm

ACCESSORIES



Flat Catch Plate

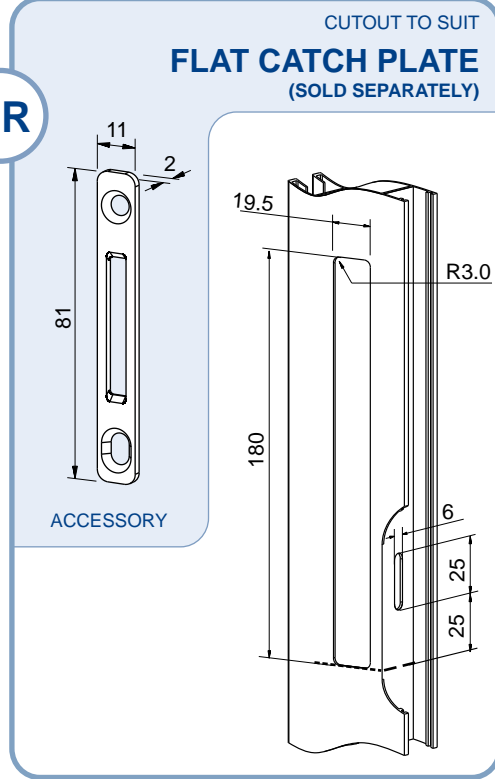
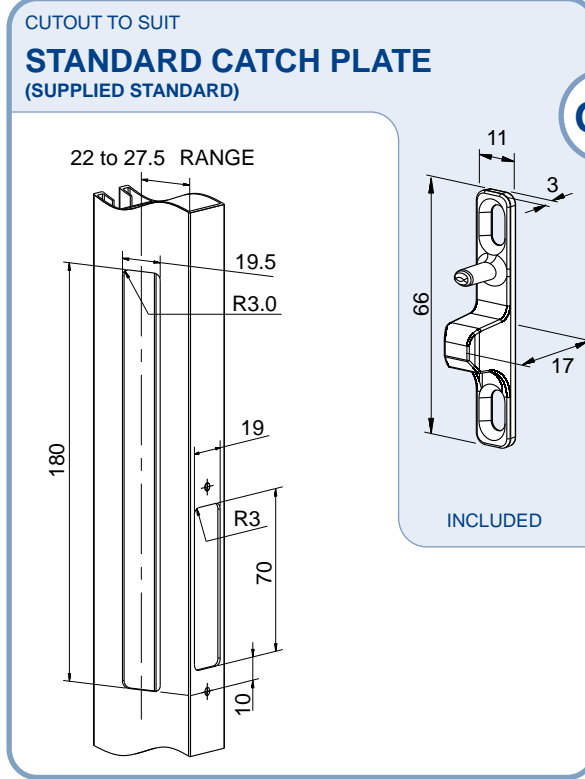


Austral Lock

Manufacturing
 42 Export Drive, Brooklyn,
 Victoria, 3012, Australia
 Tel: (+61 3) 9314 1077
 Fax: (+61 3) 9314 2400

www.ausloc.com

Pearl Cutout Details



OR

! Pearl Window - Cut 180 x 19.5 slot through single face only.
 Pearl Door - Cut 180 x 19.5 slot through both faces.



Head Office
 15-33 Alfred St,
 Blackburn, VIC 3130
 Tel: (03) 9877 1555
 Fax: (03) 9894 1599

Austral Lock is a division of GAINSBOROUGH Hardware Industries Limited

- Victoria & Tasmania** Tel: (03) 9877 1555
- New South Wales** Tel: (02) 9524 4855
- Queensland** Tel: (07) 3394 8323
- North Queensland** Tel: (07) 4774 5124
- Tambar Pty Ltd**
- South Australia** Tel: Melb (03) 9877 1555
- Western Australia** Tel: (08) 9209 2511
- New Zealand** Tel: (+64) 9525 6970



GWA
 Door & Access Systems