



**DS1000A**

**BOSTON**  
SLIDING PATIO DOOR LOCK

## DS1000A | BOSTON SLIDING PATIO DOOR LOCK

# The DS1000A encompasses a modern & sleek aesthetic to suit a variety of sliding doors.

The DS1000A Boston Sliding Patio Door Lock accompanied with Doric's Advant Chassis offers users the highest quality single point lock adhering to industry standards. The use of common fixings plus standard machining details ensures this lock can be easily retrofitted and is compatible in a variety of configurations of sliding doors.

The stylish square handle offers a contemporary look and the maximised offset allows for an ergonomic and comfortable grip.

## ADVANTAGES



Flexible security options with all-in-one latch and deadlock model



Polesium™ offering high corrosion resistance



Adaptable design to suit left or right sliding configurations.



Doric's cartridge cylinder system makes re-keying or cylinder change uncomplicated for better security



Doric One Key™ solution allows all locks to be keyed alike



Anti lift pins prevent the door from being lifted to unlock the door

## TESTING



### CYCLE TEST

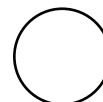
Advant Chassis tested and surpassed 50,000 cycles test in line with ICP 002



## COLOURS



BLACK



WHITE



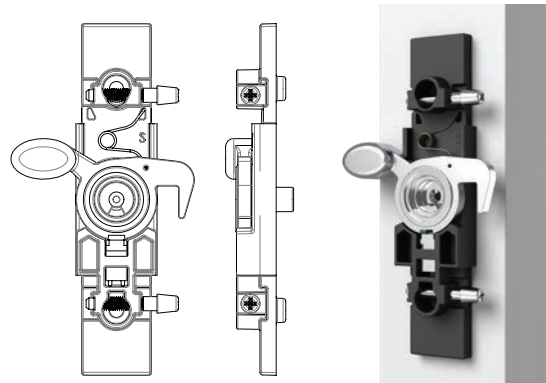
SILVER



CUSTOM POWDER COAT AVAILABLE

## ADVANT | CHASSIS

The Advant is the latest single point sliding door lock chassis.

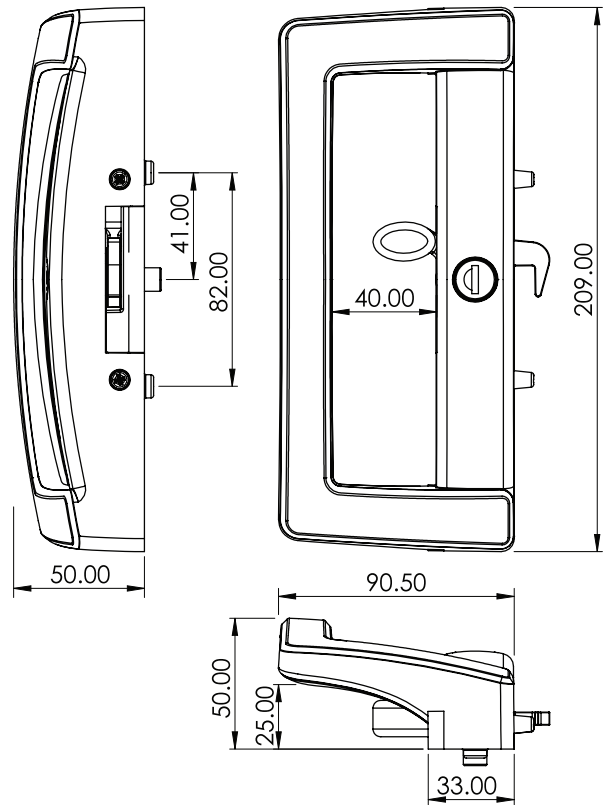


Incorporating a common lock body, that suits a range of Polesium™ handle covers, the chassis is versatile, reliable, corrosion resistant and affordable.

# PRODUCT DETAILS

<b>MATERIAL</b>	Polesium™ Handle & Infill
<b>FINISH AVAILABLE</b>	Mill Finish or Powder coat
<b>CYLINDER</b>	C4 pin and D6 disc cylinders are available  Disc cylinders standard and One Key™ compatible
<b>KEEPER</b>	DS5010 (standard)
<b>PRODUCT CODES</b>	<b>DS1000A</b> Double Lock Set <i>Int. &amp; Ext. cylinders</i> <b>DS1001A</b> Latch Set <i>No cylinders</i> <b>DS1002A</b> Lock Set <i>Ext. cylinder only</i> <b>DS1005A</b> Lock Set <i>Int. cylinder only</i> <b>DS1008A</b> Dummy Set <i>No cylinders</i>
<b>CHASSIS</b>	<b>Advant</b> <i>(Polesium™ or Metacom™ chassis material available)</i>

# DIMENSIONS



# OPTIONS

## EXTERIOR HANDLE

DS890 Metacom™    DS891 Metacom™    DS892 Polesium™    DS893 Polesium™



## KEEPER

DS5010



# HOW TO ORDER

LOCKSET OPTIONS	FINISH	CHASSIS MATERIAL	EXTERNAL HANDLE	CYLINDER	KEEPER
<b>DS1000A</b> Double Lock Set <i>(Int. &amp; Ext. cylinders)</i>	Mill or Powder coat	Polesium™ or Metacom™	DS890 or DS892	C4 Pin or D6 Disc	DS5010 or DS5011
<b>DS1001A</b> Latch Set <i>(No cylinders)</i>	Mill or Powder coat	Polesium™ or Metacom™	DS891 or DS893	Cyl. Plug	DS5010 or DS5011
<b>DS1002A</b> Lock Set <i>(Ext. cylinders)</i>	Mill or Powder coat	Polesium™ or Metacom™	DS890 or DS892	C4 Pin or D6 Disc	DS5010 or DS5011
<b>DS1005A</b> Lock Set <i>(Int. cylinders)</i>	Mill or Powder coat	Polesium™ or Metacom™	DS891 or DS893	C4 Pin or D6 Disc	DS5010 or DS5011
<b>DS1008A</b> Dummy Set <i>(No cylinders)</i>	Mill or Powder coat	Polesium™ or Metacom™	DS891 or DS893	Cyl. Plug	-

# INNOVATORS

OF HARDWARE FOR WINDOWS AND DOORS

---

DS1000A.v1.2-22.06.2022

## **SYDNEY**

38 Redfern St,  
Wetherill Park  
Sydney, NSW 2164  
Australia  
Ph: +61 2 9609 2555  
[www.doric.com.au](http://www.doric.com.au)

## **AUCKLAND**

26/C Triton Drive,  
Albany, North Shore,  
Auckland 0632  
New Zealand  
Ph: +64 9 415 5535  
[www.doric.co.nz](http://www.doric.co.nz)

## **KUALA LUMPUR**

No.17 Jalan 51/203A,  
Kawasan Perindustrian Tiong Nam,  
Seksyen 51, 46050 Petaling Jaya,  
Selangor, Malaysia  
Ph: +603 777 33 628  
[www.doric.com.my](http://www.doric.com.my)



**ALCHIN  
LONG  
GROUP**



---

# DS1000A

**BOSTON**  
SLIDING PATIO DOOR LOCK