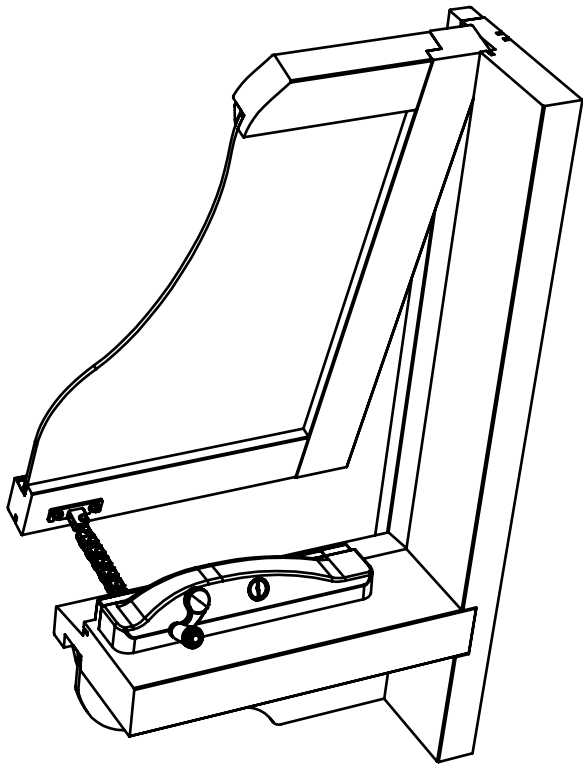


Awning window winder

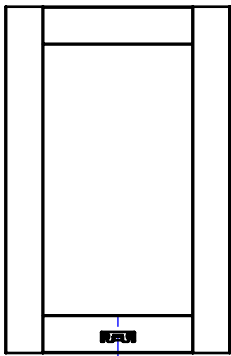


Tools Required

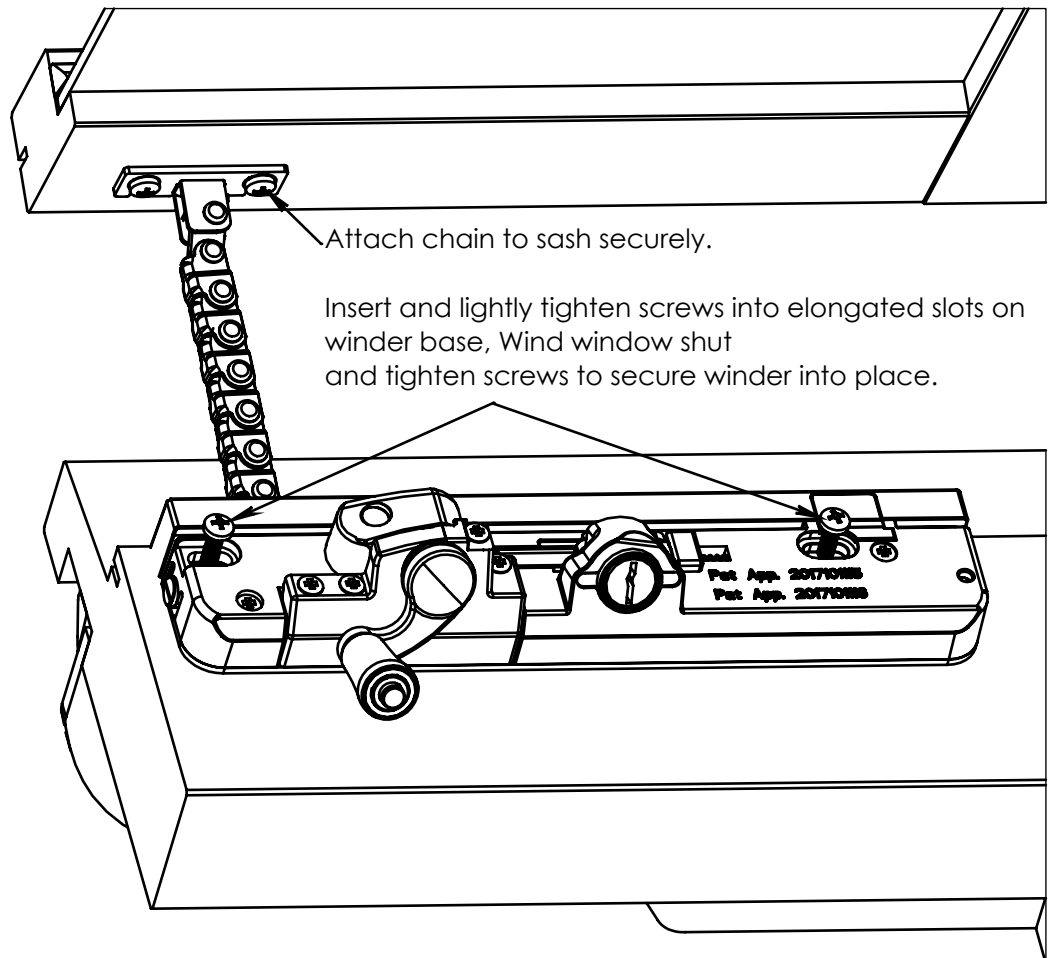
- Phillips Head Screwdriver
- Magnet
- Drill with 3.2mm drill bit.



Attaching winder to operable sash and window



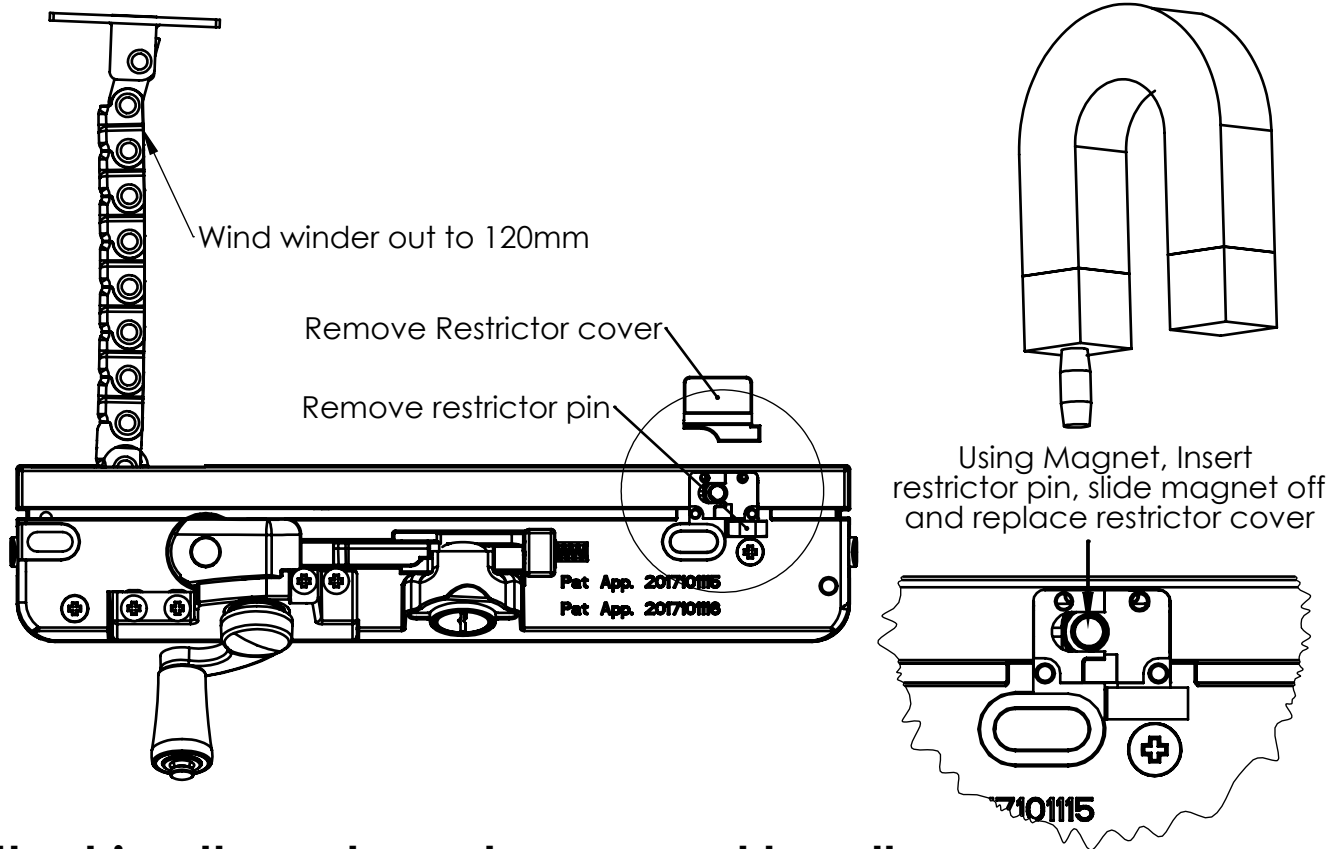
Wherever possible attach chain to the centre of the bottom sash rail.



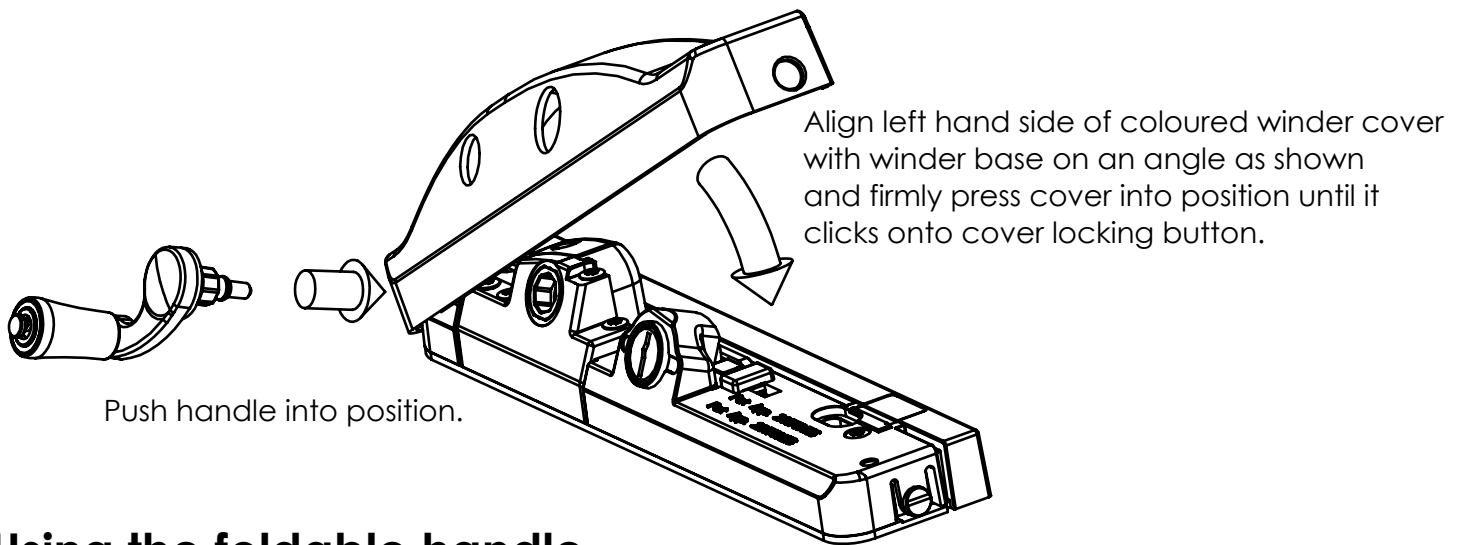
Attach chain to sash securely.

Insert and lightly tighten screws into elongated slots on winder base, Wind window shut and tighten screws to secure winder into place.

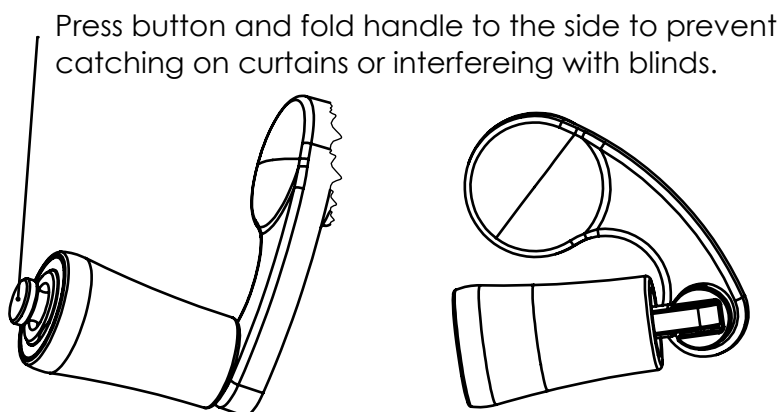
Setting up for restricted opening



Attaching the coloured cover and handle



Using the foldable handle



SOUTHERN STAR
Group of Companies